

Universal weld-on hook, UKN

The original excavator hook

Excavators are often used for material handling and lifting as they are frequently available on most construction sites. However, rigging gear is often incorrectly attached either to the teeth of the bucket or directly on the excavator arm, which is a dangerous practice that can lead to accidents.

Back in 1975 Gunnebo Industries developed the UKN hook, a solution that transformed the excavator into a lifting crane. The UKN hook has been fitted to excavators, and other applications, for over 40 years, either as an aftermarket product or directly by the manufacturer. Today the UKN is the hook of choice for leading international excavator manufacturers.

Quality is top priority

- Forged alloy steel
- Hardened and tempered

100% Proof-loaded

- Every hook is individually proof-loaded at 3 x WLL

High durability

- Forged
- Rated with a 5:1 safety factor

Clear markings

- Country of origin
- Traceability code
- Model and size

Prepared for welding

- Base plate prepared for welding

Heavy duty latch

- Latch with handles for easy opening.
- Hardened and tempered

Pin & spring

- Spring protection
- Hardened and tempered hinge pin
- Stainless steel spring

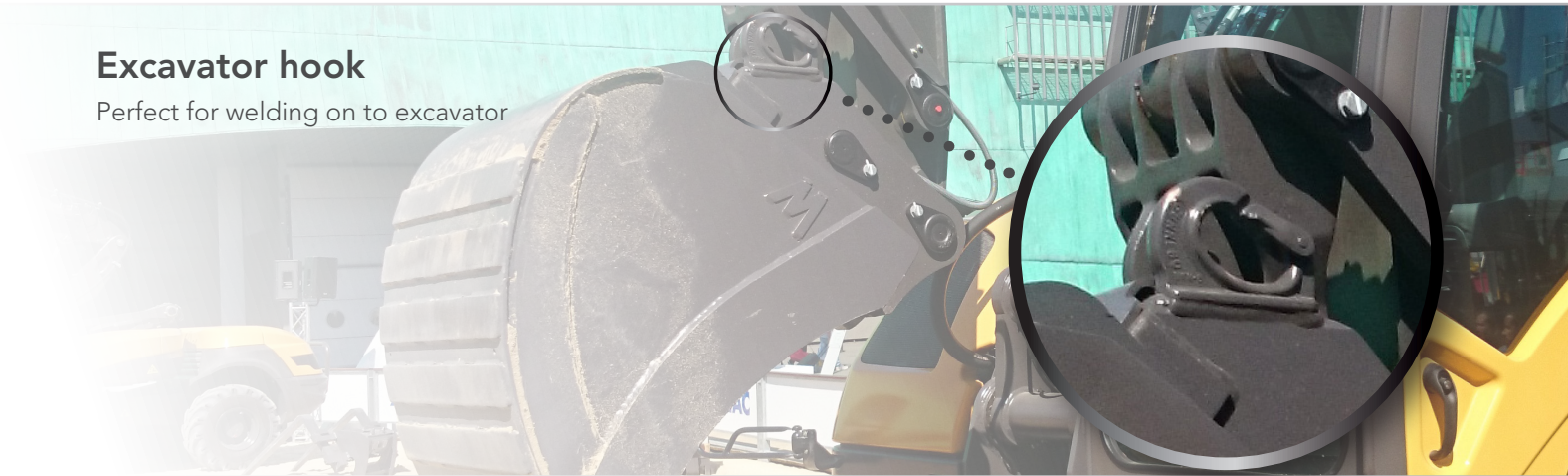


Universal weld-on hook, UKN

The original

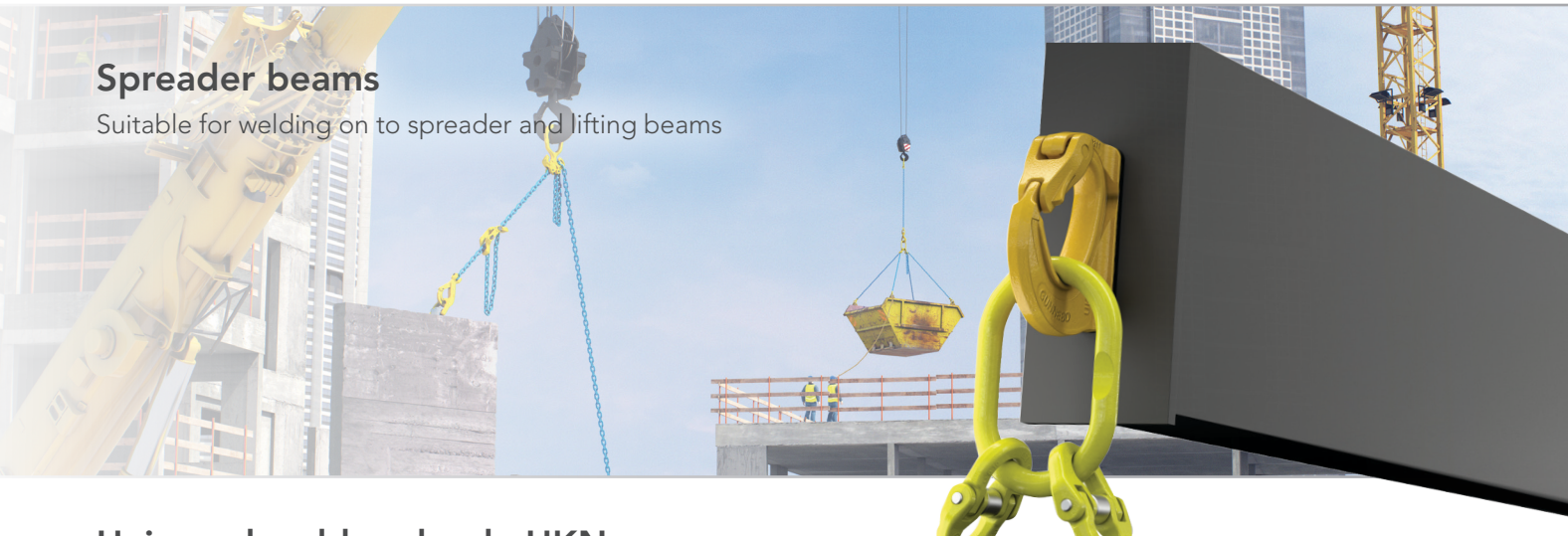
Excavator hook

Perfect for welding on to excavator



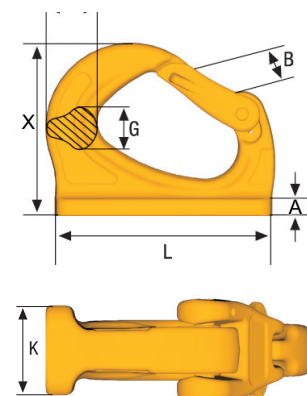
Spreader beams

Suitable for welding on to spreader and lifting beams



Universal weld-on hook, UKN

| Art. no. | Code | WLL lbs** | B | G | H | K | L | A | X | Weight lbs |
|----------|-----------|-----------|------|------|------|------|-------|------|------|------------|
| Z1002560 | UKN-0,75* | 1 653 | 0.79 | 0.51 | 0.79 | 0.75 | 3.21 | 0.20 | 2.20 | 0.44 |
| Z6511810 | UKN-1* | 2 204 | 1.06 | 0.67 | 0.98 | 0.98 | 3.74 | 0.24 | 2.83 | 1.32 |
| Z7009060 | UKN-2* | 4 408 | 1.30 | 0.79 | 1.18 | 1.18 | 4.49 | 0.31 | 3.39 | 1.98 |
| Z6455730 | UKN-3 | 6 612 | 1.18 | 0.91 | 1.26 | 1.38 | 5.20 | 0.39 | 4.13 | 2.87 |
| Z6521160 | UKN-4 | 8 800 | 1.18 | 1.14 | 1.50 | 1.65 | 5.51 | 0.43 | 4.49 | 4.41 |
| Z6455800 | UKN-5 | 11 020 | 1.34 | 1.18 | 1.85 | 1.77 | 6.50 | 0.47 | 5.16 | 7.05 |
| Z6515390 | UKN-8 | 17 632 | 1.34 | 1.57 | 2.01 | 1.97 | 6.77 | 0.51 | 5.24 | 7.94 |
| Z6456030 | UKN-10 | 22 040 | 1.85 | 1.69 | 2.28 | 2.17 | 8.66 | 0.55 | 6.69 | 18.08 |
| Z1007850 | UKN-15 | 33 060 | 2.17 | 1.97 | 2.64 | 2.36 | 9.45 | 0.59 | 7.40 | 21.61 |
| Z1007851 | UKN-20 | 44 080 | 2.56 | 2.36 | 3.35 | 2.36 | 10.83 | 0.59 | 8.15 | 27.29 |



* Welding plate slightly curved
 ** Safety factor 5:1
 Fullfill requirements in: EN 474-1

All dimensions in inches.