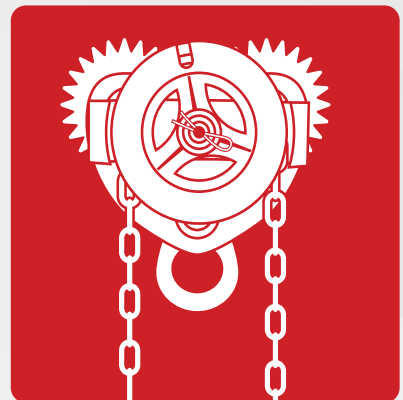
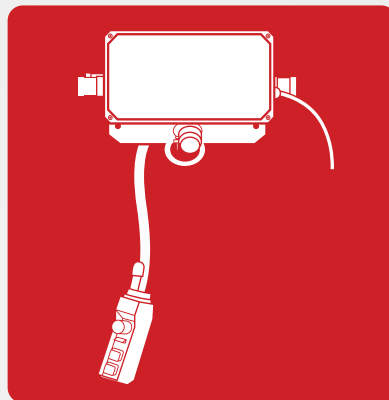


# HOISTS

Engineered for any capacity load and configuration requirement, including for low headroom or hazardous environments.



## HAND CHAIN HOISTS

Accolift® portable, lightweight hand chain hoists are compact and provide a dependable working tool for industrial maintenance, construction sites, machine shops, and production situations where parts need to be positioned accurately but infrequently.



### Construction Features:

**Hooks:** All hooks are drop forged, heat treated steel with spring type latches. Both hooks rotate 360° for easy rigging.

**Mechanical Load Brake:** Weston type multiple disc brake controls load smoothly, holding full capacity loads in any position.

**Overload Clutch:** Clutch provided to prevent lifting overloads that could permanently damage hoist. Preset at the factory, the device is installed between the chain wheel and the load brake.

**Hand Chain:** Electric welded, close link galvanized coil chain, accurately and uniformly sized to seat properly in hand wheel pockets.

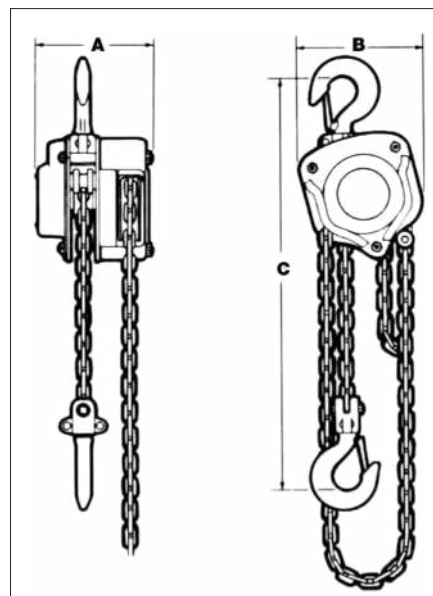
**Load Sheaves:** Deep cast pockets precisely fit the load chain. Load shafts are supported by pre-lubricated bearings for smooth operation.

**Load Chain:** Electric welded alloy steel chain is heat treated for wear resistance and strength. Accurately and uniformly sized to seat properly in load sheaves.

**Frame:** Fabricated rolled steel plate.

**Covers:** Protective steel covers can easily be removed for inspection and maintenance. Covers protect chain wheel, overload clutch, brake and gearing from debris.

**Specification:** meets ANSI and ASME requirements.



**Options:** Optional equipment available for this product includes chain container, weather cover, nickel plated load chain, stainless steel load chain, stainless steel hand chain, bronze hooks, stainless steel hooks, nickel plated hoist body and hoists lug mounted to a trolley. Please contact factory for more information.

Model Number	Capacity (Ton)	Std. Lift	Hand Chain Drop (ft)	Pull to Lift Full Load (lb)	Chain Overhaul Ratio	Dimensions (in)			Load Chain Diameter (in) X Chain Fall Lines	Weight for Add'l 1ft. of lift (lb)	Net Weight (lb)
						A	B	C			
1360210	1/2	10	8	53	40:1	5.8	5.7	12.2	.248 x (1)	0.6	25
1360220	1/2	20	18	53	40:1	5.8	5.7	12.2	.248 x (1)	0.6	31
1360230	1	10	8	73	40:1	5.8	5.7	13.0	.248 x (1)	0.6	26
1360240	1	20	18	73	40:1	5.8	5.7	13.0	.248 x (1)	0.6	32
1360250	2	10	8	75	78:1	7.2	7.4	15.0	.311 x (1)	1.0	48
1360260	2	20	18	75	78:1	7.2	7.4	15.0	.311 x (1)	1.0	58
1360270	3	10	8	77	120:1	5.8	8.1	18.9	.280 x (2)	1.5	51
1360280	3	20	18	77	120:1	5.8	8.1	18.9	.280 x (2)	1.5	66
1360290	5	10	8	86	186:1	7.3	10.1	24.4	.354 x (2)	2.4	90
1360300	5	20	18	86	186:1	7.3	10.1	24.4	.354 x (2)	2.4	114
1360310	7 1/2	10	8	88	248:1	7.3	14.4	28.3	.354 x (3)	3.6	116
1360320	7 1/2	20	18	88	248:1	7.3	14.4	28.3	.354 x (3)	3.6	152
1360330	10	10	8	90	372:1	7.3	14.4	32.3	.354 x (4)	4.8	202
1360340	10	20	18	90	372:1	7.3	14.4	32.3	.354 x (4)	4.8	250
1360350	15	10	8	90 X (2)	248:1 X (2)	8.3	29.3	33.5	.354 x (5)	7.2	320
1360360	15	20	18	90 X (2)	248:1 X (2)	8.3	29.3	33.5	.354 x (5)	7.2	392
1360370	20	10	8	90 X (2)	372:1 X (2)	8.3	34.4	38.2	.354 x (6)	9.6	427
1360380	20	20	18	90 X (2)	372:1 X (2)	8.3	34.4	38.2	.354 x (6)	9.6	523

## PLAIN TROLLEYS



Accolift® Plain Trolleys are light and easy to adapt to a wide range of beams. The trolley wheels include lifetime lubricated ball bearings for maintenance free operation. A perfect match to make the Accolift electric or hand chain hoist and its load horizontally mobile.

**Construction Features:**

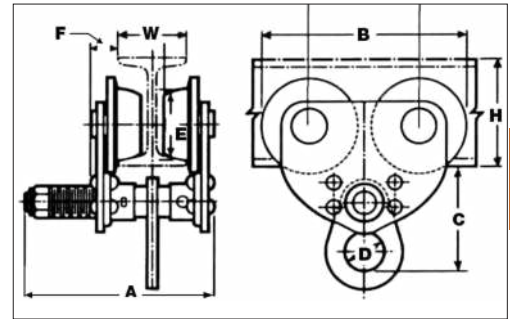
**Side Frame:** Side plates are rugged rolled steel

**Wheels:** Crown tread allows operation on tapered or flat flange beams

**Bearings:** Shielded, lifetime lubricated, single row ball bearings.

**Suspension Lug:** Pivot mounted suspension shaft designed to equally distribute the load to all wheels.

**Options:** Optional equipment available for this product includes bronze wheels and nickel plated body. Please contact the factory for more information.



3

Model Number	Capacity (Ton)	W Beam Width Min. - Max. (in)	Dimensions (in)							Min. Beam Size H	Min. Beam Radius	Net Weight (lb)
			A	B	C	D	E	F	G			
1650010	1/2	3" to 5"	8.1	6.9	5.1	1.8	2.2	1.1	3.5	4	24	14
1650020	1	3" to 5"	8.1	9.1	5.1	1.8	3.2	1.1	4.8	5	30	22
1650030	2	3" to 6"	9.3	10.6	6.1	2.4	3.9	1.4	5.6	6	36	41
1650040	3	3" to 6"	9.9	12.3	7.5	2.6	4.5	1.9	6.4	7	36	63
1650050	5	5" to 7"	11.1	13.9	9.1	3.0	4.9	2.1	7.2	10	48	97

## GEARED TROLLEYS



Accolift® Geared Trolleys are light and easy to adapt to a wide range of beams. The trolley wheels include lifetime lubricated ball bearings for maintenance free operation. A perfect match to make the Accolift electric or hand chain hoist and its load horizontally mobile for short distances and accurate load positioning.

**Construction Features:**

**Side Frame:** Side plates are rugged rolled steel

**Wheels:** Crown tread allows operation on tapered or flat flange beams

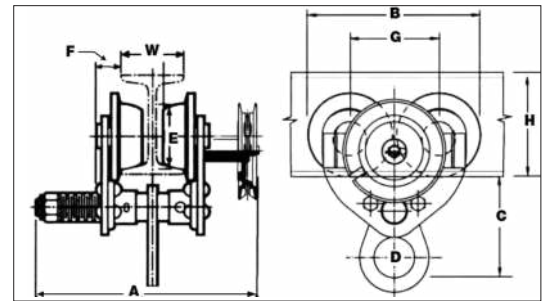
**Bearings:** Shielded, lifetime lubricated, single row ball bearings.

**Hand Chain:** Electric welded, close link galvanized coil chain, accurately and uniformly sized to seat properly in handwheel pockets.

**Chain Guide:** Steel chain guide.

**Suspension Lug:** Pivot mounted suspension shaft designed to equally distribute the load to all wheels.

**Options:** Optional equipment available for this product includes bronze wheels, stainless steel hand chain and nickel plated body. Please contact the factory for more information.



Model Number	Capacity (Ton)	W Beam Width Min. - Max. (in)	Hand Chain Drop (ft)	Dimensions (in)							Min. Beam Size H	Min. Beam Radius	Net Weight (lb)
				A	B	C	D	E	F	G			
1650110	1/2	3" to 5"	18	10.8	9.1	5.1	1.8	3.2	1.1	4.8	5	30	35
1650120	1	3" to 5"	18	10.8	9.1	5.1	1.8	3.2	1.1	4.8	5	30	35
1650130	2	3" to 6"	18	12.0	10.6	6.1	2.4	3.9	1.4	5.6	6	36	57
1650140	3	3" to 6"	18	13.0	12.3	7.5	2.6	4.5	1.9	6.4	7	36	79
1650150	5	5" to 7"	18	15.0	13.9	9.1	3.0	4.9	2.1	7.2	10	48	114
1650160	10	5" to 7.5"	18	17.0	13.9	11.0	3.2	4.9	2.1	7.2	10	48	227

## MOTORIZED TROLLEYS



Accolift® Motorized Trolleys are rugged in design and built to be flexible right out of the box. Each trolley is adjustable for a beam flange range of 3.25" to 12" with no additional materials required. Side guide rollers are included to promote smooth trolley motion and to minimize wheel and beam flange wear.

Wheels are dual tread design for operation on tapered or flat flange beams. Trolleys include drop down lugs and rubber bumpers as standard equipment. Motor includes class F insulation and a disc type motor brake. Motor is rated for 30-minute duty and includes standard thermal protection. Three phase trolleys include a VFD control, 2-button pendant, control transformer and a 30' power cord. Single phase trolleys include a single speed contactor control, 2-button pendant and a 30' power cord.

### Construction Features:

**Motor:** 30-min duty motor with class F insulation, thermal protection and motor brake (single phase motors are rated 20-min).

**Three Phase Control:** VFD control programmed for two speed operation.

**Single Phase Control:** Contactor control provided for single speed operation.

**Side Frame:** Side plates are rugged rolled steel.

**Wheels:** Dual tread design for operation on tapered or flat flange beams.

**Bearings:** Shielded, lifetime lubricated, single row ball bearings.

**Suspension Lug:** Pivot mounted suspension lug provides equally distributed load to all wheels.

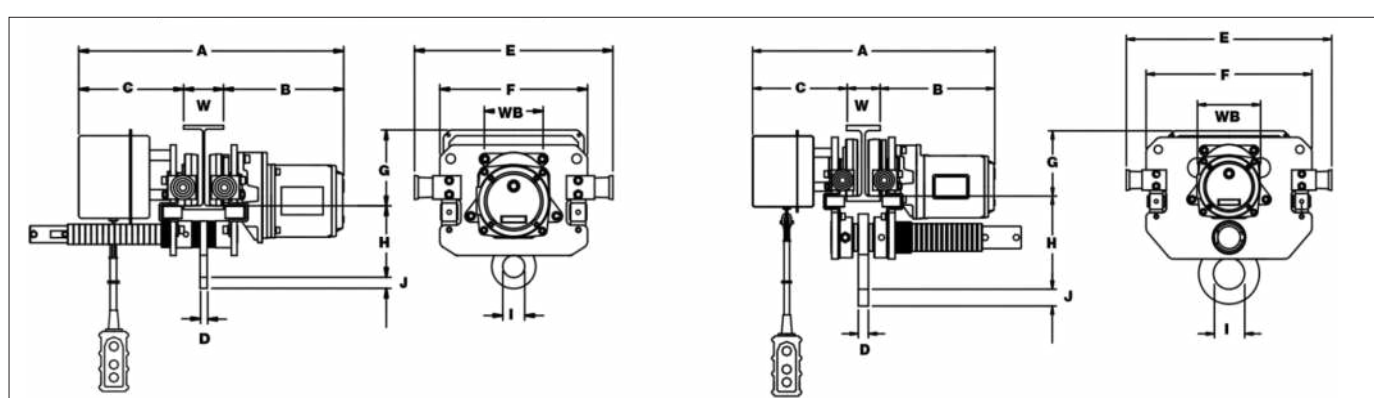
Cap. (Ton)	Model Number	Trolley Speed (fpm)	Push Button Cord Length (ft)	Power Cord Length (ft)	Motor				Flange Width Adjustability (in)	Wheel Diameter	Min. Beam Radius (in)	Net Wt. (lb)
					HP	Amp. Draw						
						115V	208/230V	460V				
1	2130510-VFD	75/25	6	30	0.54	-	3.3/3.0	1.5	3.25 to 12	3.7	32	86
2	2130520-VFD	75/25	6	30	0.54	-	3.3/3.0	1.5	3.25 to 12	4.3	32	101
3	2130530-VFD	65/22	6	30	1	-	4.8/4.4	2.2	3.25 to 12	5	40	165
5	2130550-VFD	65/22	6	30	1	-	4.8/4.4	2.2	3.25 to 12	5.5	72	210

### SINGLE PHASE TROLLEYS:

1	2330510	36	6	30	0.27	7.8	4.3/3.9	-	3.25 to 12	3.7	32	86
2	2330520	36	6	30	0.27	7.8	4.3/3.9	-	3.25 to 12	4.3	32	101

Figure A

Figure B



Model Number	A W = Beam width	Dimensions (in)										Figure
		B	C	D	E	F	G	H	I Diameter	J	WB	
2130510-VFD	18.7 + W	10	8.7	0.5	16	11.8	6.5	5.2	1.8	0.8	4.4	A
2130520-VFD	18.9 + W	10.1	8.8	0.6	16.7	12.4	6.4	6	1.8	0.9	4.9	A
2130530-VFD	19.8 + W	10.9	8.9	0.8	18	14.2	6.2	7.2	2.6	1.3	5.5	B
2130550-VFD	20.4 + W	11.2	9.2	1	20	16.1	6.3	9	3	1.4	6.1	B
2330510	18.7 + W	10	8.7	0.5	16	11.8	6.5	5.2	1.8	0.8	4.4	A
2330520	18.9 + W	10.1	8.8	0.6	16.7	12.4	6.4	6	1.8	0.9	4.9	A

## LEVER HOISTS



Accolift® lever hoists are lightweight and portable with chain-type lever-operated pullers. Increases a worker's efficiency in pulling, lifting, lowering, moving and skidding objects in industrial maintenance, construction and utility company applications. Minimal effort is required to move tons. The short handle and short stroke are designed to operate in tight places. Excellent for stretching cable and fencing, positioning machinery and building components.

### Construction Features:

**Frame/Side Plate:** Rugged, lightweight steel design supports and protects internal gearing. Frame designed to allow load hook to be attached when operator is moving from location to location preventing dragging of the load hook.

**Load Lever:** Designed and constructed to be easily operated by one person. Can be easily disassembled for maintenance.

**Operation:** The length of the load chain can easily be adjusted using the free chaining device. This device allows free movement of the load chain through the hoist under no load conditions. Once the chain is attached to the load and the slack is taken out, the change lever can be set to "up" to engage the hoist and chain will be pulled through the device with each stroke of the lever by the operator. When the operator needs to move the lever hoist to the next required location, the bottom hook assembly can be attached to the hoist body preventing dragging the hook through debris.

**Gears:** Gearing is cold forged and permanently lubricated for longevity. Gear case cover includes bushings to support pinion shaft and change gears.

**Mechanical Load Brake:** Weston type multiple disc brake controls load smoothly, holding full capacity loads in any position. Load is not transferred back to handle during handle advancement.

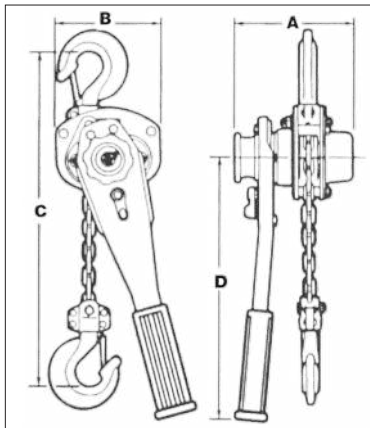
**Load Chain:** Electric welded alloy steel chain is heat treated for strength and wear resistance. Accurately and uniformly sized to seat properly in the deep pockets of the load sheaves.

**Load Block:** The load block supports the load hook permitting hook to swivel 360° under capacity loads. Load block is designed to guide the chain without jamming during normal operation.

**Hooks:** All hooks are drop forged, heat treated steel with spring type latches. Both hooks rotate 360° for easy rigging.

**Options:** Overload clutch, nickel plated load chain and shipyard hooks.

**Specification:** meets ANSI and ASME requirements.



Model Number	Model with Overload	Cap. (Ton)	Std. Lit (ft)	Pull to Lift Full Load (lb)	Dimensions (in)				Load Chain Diameter (in) X Chain Fall Lines	Weight for Add'l 1 ft. of lift (lb)	Net Weight (lb)
					A	B	C	D			
1150410	1150410-OL	3/4	5	66	6.1	4.8	13.0	10.8	.28 x (1)	0.6	15
1150420	1150420-OL	3/4	10	66	6.1	4.8	13.0	10.8	.28 x (1)	0.6	18
1150430	1150430-OL	1 1/2	5	66	6.6	5.6	14.9	15.2	.28 x (1)	0.8	23
1150440	1150440-OL	1 1/2	10	66	6.6	5.6	14.9	15.2	.28 x (1)	0.8	27
1150450	1150450-OL	2	5	88	6.6	5.6	15.5	15.2	.28 x (1)	0.8	24
1150460	1150460-OL	2	10	88	6.6	5.6	15.5	15.2	.28 x (1)	0.8	28
1150470	1150470-OL	3	5	81	7.9	6.8	18.3	15.2	.354 x (1)	1.2	39
1150480	1150480-OL	3	10	81	7.9	6.8	18.3	15.2	.354 x (1)	1.2	45
1150490	1150490-OL	6	5	84	7.9	9.5	24.2	15.2	.354 x (1)	2.4	64
1150500	1150500-OL	6	10	84	7.9	9.5	24.2	15.2	.354 x (2)	2.4	76
1150510	1150510-OL	9	5	86	7.9	13.7	30.5	15.2	.354 x (2)	3.6	123
1150520	1150520-OL	9	10	86 b	7.9	13.7	30.5	15.2	.354 x (3)	3.6	141

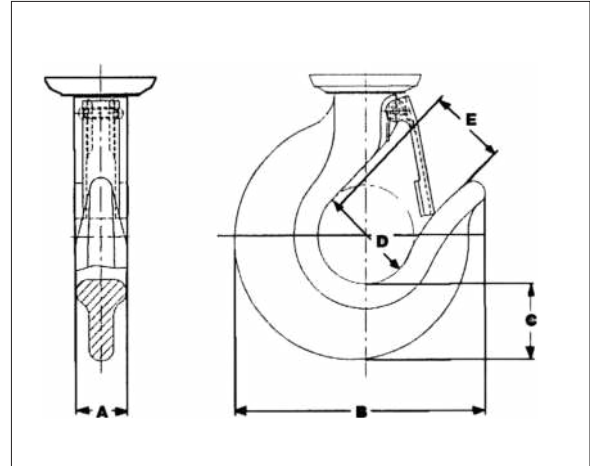
## HOOK DIMENSIONS

### HAND CHAIN HOISTS

Capacity (Ton)	Dimensions (in)				
	A	B	C	D	E
1/2	0.63	2.87	0.79	1.42	1.08
1	0.79	3.39	0.94	1.57	1.12
2	0.94	4.45	1.18	1.97	1.38
3	1.10	5.24	1.65	2.13	1.61
5	1.42	5.98	1.81	2.40	1.73
7 1/2	1.65	7.28	2.60	2.80	1.69
10	2.44	9.29	3.54	3.15	2.03
15	2.56	10.63	3.54	4.33	2.36
20	3.11	12.72	4.65	4.72	3.35

### LEVER HOISTS

Capacity (Ton)	Dimensions (in)				
	A	B	C	D	E
3/4	0.61	2.91	0.74	1.42	0.91
1 1/2	0.85	4.04	1.12	1.69	1.10
2	0.94	4.44	1.24	1.85	1.10
3	1.26	4.95	1.37	2.09	1.34
6	1.46	5.98	1.77	2.44	1.81
9	2.13	9.31	3.31	3.54	2.20



## OPTIONS FOR HAND CHAIN HOISTS

Bronze wheels, nickel plated trolley and hoist body, nickel plated hand and load chain, bronze coated hook and load block.

Bronze wheels, bronze load hook and stainless steel load chain.

Stainless steel load chain, bottom block and hook.

Chain container.

