



Johnson Swivels



GUNNEBO
Industries

Content Overview



Information..... 3



Johnson Swivel Anatomy..... 4



Eye/Hook, 3- 30 tonnes..... 5



Jaw/Hook, 3 - 15 tonnes..... 5



Eye/Eye, 3- 30 tonnes..... 6



Jaw/Jaw, 3- 19 tonnes..... 6



Jaw/Eye, 3- 19 tonnes..... 7



Eye/Jaw, 3- 19 tonnes..... 7

Johnson Swivels **CE**

Johnson thrust bearing swivels from Gunnebo Industries are widely used for the primary purpose of allowing the natural twist in wire rope to rotate as necessary without affecting the suspended load. They are available in six different end fitting combinations, from 3 to 30 tonnes WLL.

Simple and compact, the swivels are engineered for long life and economical cost. Hooks are forged alloy steel, lubrication fittings are recessed, and a generous bronze bushing assures toughness and long life. The swivels are all CE marked.

Custom designed swivels are also available from Gunnebo Industries. Applications include very large sizes of up to 1200 tonnes WLL, and pressure compensated underwater models for deep sea service.

Standard Equipment

- Forged hook with latch
- Roller thrust bearing
- Large bronze thrust bushing
- Recessed lubrication fitting
- Large lubricant reservoir
- Proof load test

Optional Equipment

- Custom end fitting sizes
- Custom sizes above 30 tonnes WLL
- Anti-corrosion coatings

Unique Features Puts Safety First

Gunnebo Industries offers a variety of swivel types ranging from 3 through 30 tonnes. Simple, compact, these units are engineered for long life and reasonable cost. The features include roller thrust bearings, recessed grease fittings, hooks of drop forged steel.

Every Johnson swivel carries both a Ton Rating Plate and Caution Plate. The Caution Plate serves as an operational guide to correct working practices. The Ton Rating Plate we include as a means of product qualification and identification. It is to this plate that the operator looks for information on product model number, as well as Working Load Limit.

We are the Experts in the Industry

We are metallurgical design specialists. Custom alternatives can help the customer meet special requirements. One of the reasons for this company's continued growth is its strong technical base. An organization whose in-house capabilities range from total product development to programmable proportion-controlled heat treating. Typical of our ability to design and fabricate to exceptional criteria was the mammoth swivel created for a specific one-time application. The end product had better than a 1,200 tonne capacity at a 5 to 1 design factor. Over 12 feet in height, it weighed 19,800 pounds.

*Note: For repair, please contact Gunnebo Industries' Customer Service. Field repair by users is not recommended due to special factory procedures used during assembly.

Anatomy of a Johnson Swivel

Compact Overall Design,
engineered for low cost and long life

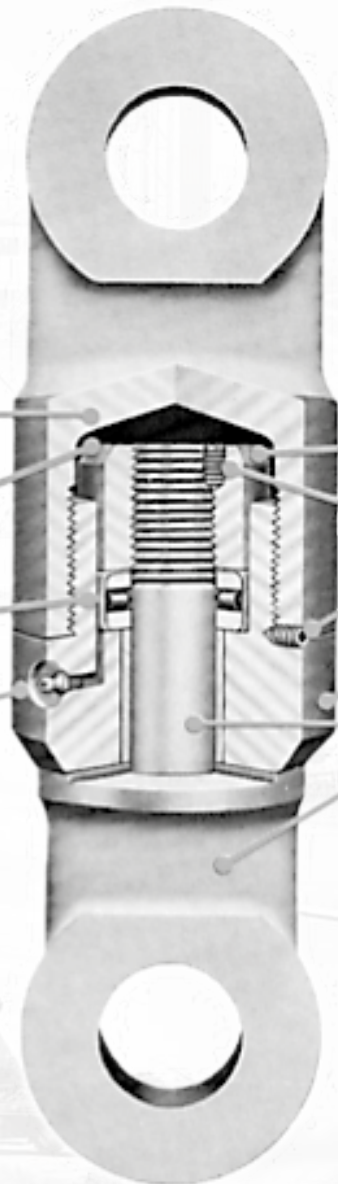
ASTM A148 Alloy Steel Upper
Fittings/Housings

Large Lubricant Reservoir

Tapered Roller Thrust Bearings

Recessed Alemite Grease Fittings

Available in Custom Models
Price on application



Compatible with Johnson Swivel
Overhaul Balls and Wedge Sockets

ASTM A36 Alloy Steel Thrust
Nuts

Positive-Lock Set Screws

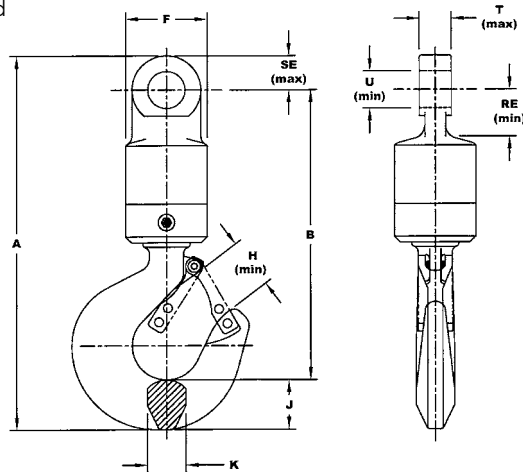
AISI 1018 Carbon Steel
Lower Housings

ASTM A148 Alloy Steel Lower
Fittings, Shanks

4130 Alloy Steel Hooks – Quenched
and Tempered

Eye/Hook, 3 - 30 tonnes

4 to 1 design factor, CE marked



Key to Eye/Hook Swivel Model Numbers:

- 3 - Working Load Limit (tonnes)
- E - Top Fitting (E = Eye)
- H - Bottom Fitting (H = Hook)
- M - Midget Swivel

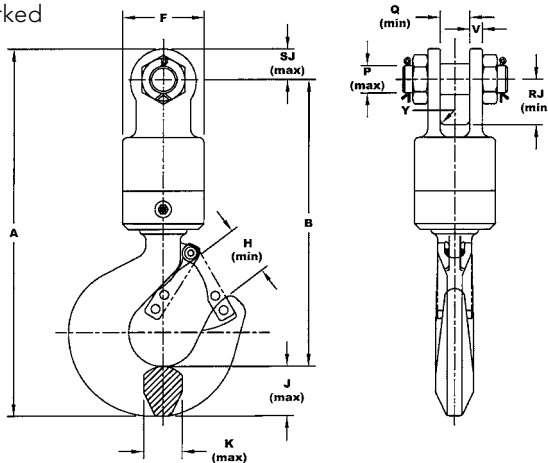
To order please specify the model number



Model No.	WLL (tonnes)	Weight (kgs)	A Overall Length	B Net Length	F Swivel Dia.	H Throat Opening with Latch	J Hook Thickness	K Hook Width	RE Hole to Obstruction Min	SE Hole to End of Fitting Max	T Thickness of Eye Max	U Hole Dia. Min
3EHM	3.0	3.5	268.7	200.9	66.8	28.4	37.6	28.4	31.6	31.0	23.1	26.2
3EH	3.0	6.8	341.9	272.5	82.5	28.4	37.6	28.4	39.4	34.0	26.2	33.3
5EH	5.0	6.8	350.3	280.9	82.5	28.4	37.6	28.4	39.4	34.0	26.2	33.3
7EH	7.0	7.3	376.4	298.7	82.5	35.3	46.0	35.0	39.4	34.0	26.2	33.3
9EH	9.0	15.4	472.9	357.6	101.6	53.3	64.3	49.0	56.9	51.6	32.5	45.2
12EH	12.0	17.7	484.4	367.8	112.8	53.3	64.3	49.0	60.5	51.6	32.5	45.2
15EH	15.0	17.7	484.4	367.8	112.8	53.3	64.3	49.0	60.5	51.6	32.5	45.2
20EH	20.0	31.3	579.9	443.2	133.3	71.1	76.2	60.4	71.4	61.2	42.2	53.3
25EH	25.0	40.8	629.4	480.1	133.3	83.3	88.9	76.2	70.9	62.0	42.9	53.3
30EH	30.0	53.1	673.9	515.1	165.1	83.3	88.9	76.2	66.0	73.2	41.4	58.7

Jaw/Hook, 3 - 15 tonnes

4 to 1 design factor, CE marked



Key to Jaw/Hook Swivel Model Numbers:

- 3 - Working Load Limit (tonnes)
- J - Top Fitting (J = Jaw)
- H - Bottom Fitting (H = Hook)
- M - Midget Swivel

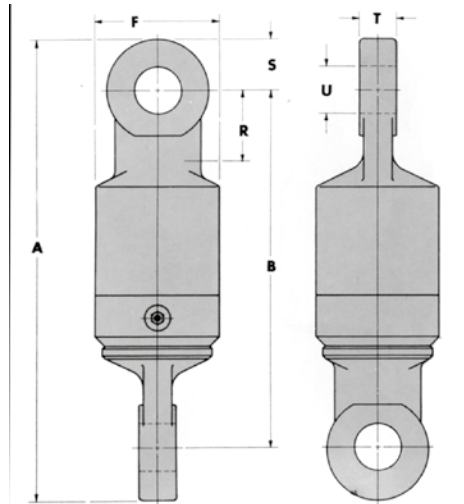
To order please specify the model number



Model No.	WLL (tonnes)	Weight (kgs)	A Overall Length	B Net Length	F Swivel Dia.	H Throat Opening with Latch	J Hook Thickness	K Hook Width	P Pin Dia. Max	Q Width Between Ears Min	RJ Pin to Obstruction Min	SJ Pin to End of Fitting Max	V Thickness of Ear	Y Jaw Radius
3JHM	3.0	4.1	267.2	200.9	66.8	28.4	37.6	28.4	25.4	24.6	35.1	31.0	12.7	2.3
3JH	3.0	8.2	348.2	275.6	82.5	28.4	37.6	28.4	31.7	36.6	52.6	36.6	14.2	6.4
5JH	5.0	8.6	356.6	284.0	82.5	28.4	37.6	28.4	31.7	36.6	52.6	36.6	14.2	6.4
7JH	7.0	9.0	382.8	302.0	82.5	35.3	46.0	35.0	31.7	36.6	52.6	36.6	14.2	6.4
9JH	9.0	17.9	472.9	357.9	101.6	53.5	64.2	49.0	44.4	42.9	68.3	52.3	19.0	6.4
12JH	12.0	20.4	490.7	374.9	112.8	53.5	64.2	49.0	44.4	49.3	74.7	52.3	19.0	6.4
15JH	15.0	20.4	490.7	374.9	112.8	53.5	64.2	49.0	44.4	49.3	74.7	52.3	19.0	6.4

Eye/Eye, 3 - 30 tonnes

5 to 1 design factor, CE marked



Key to Eye/Eye Swivel Model Numbers:

- 3 - Working Load Limit (tonnes)
- E - Top Fitting (E = Eye)
- E - Bottom Fitting (E = Eye)
- M - Midget Swivel

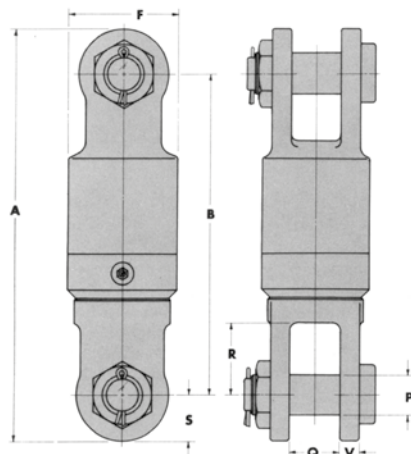
To order please specify the model number



Model No.	WLL (tonnes)	Weight (kgs)	A Overall Length	B Net Length	F Swivel Dia.	R Hole to Obstruction Min	S Hole to End of Fitting Max	T Thickness of Eye Max	U Hole Dia. Min
3EEM	3.0	2.7	204.0	143.5	66.8	31.2	31.8	23.6	26.2
4EE	4.0	6.3	302.3	237.2	82.5	39.4	34.0	26.2	33.3
7EE	7.0	6.3	302.3	237.2	82.5	39.4	34.0	26.2	33.3
12EE	12.0	11.8	388.4	286.8	101.6	57.0	51.6	32.5	45.2
19EE	19.0	14.1	403.9	302.3	112.8	60.5	51.6	32.5	45.2
25EE	25.0	22.7	449.6	328.9	133.3	70.9	62.0	42.9	53.3
30EE	30.0	38.5	510.3	370.6	165.1	66.0	73.2	41.4	58.7

Jaw/Jaw, 3 - 19 tonnes

5 to 1 design factor, CE marked



Key to Jaw/Jaw Swivel Model Numbers:

- 3 - Working Load Limit (tonnes)
- J - Top Fitting (J = Jaw)
- J - Bottom Fitting (J = Jaw)
- M - Midget Swivel

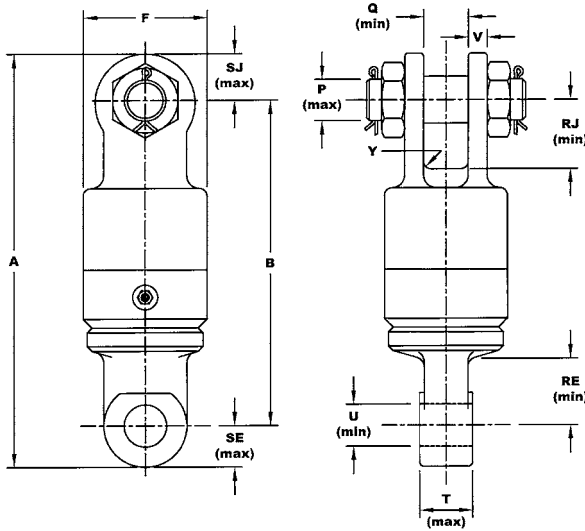
To order please specify the model number



Model No.	WLL (tonnes)	Weight (kgs)	A Overall Length	B Net Length	F Swivel Dia.	P Pin Dia. Max	Q Width Between Ears Min	R Pin to Obstruction Min	S Pin to End of Fitting Max	V Thickness of Ear	Y Jaw Radius
3JJM	3.00	3.8	208.5	149.6	66.8	25.4	24.6	33.5	31.8	12.7	2.3
4JJ	4.00	9.9	317.0	246.6	82.5	31.7	36.6	52.6	36.6	14.2	6.3
7JJ	7.00	9.9	317.0	246.6	82.5	31.7	36.6	52.6	36.6	14.2	6.3
12JJ	12.00	19.1	396.5	294.9	101.6	44.4	42.9	68.3	52.3	19.0	6.3
19JJ	19.00	21.5	422.6	321.0	112.8	44.4	49.3	74.7	52.3	19.0	6.3

Jaw/Eye, 3 - 19 tonnes

5 to 1 design factor, CE marked



Key to Jaw/Eye Swivel Model Numbers:

- 3 - Working Load Limit (tonnes)
- J - Top Fitting (J = Jaw)
- E - Bottom Fitting (E = Eye)
- M - Midget Swivel

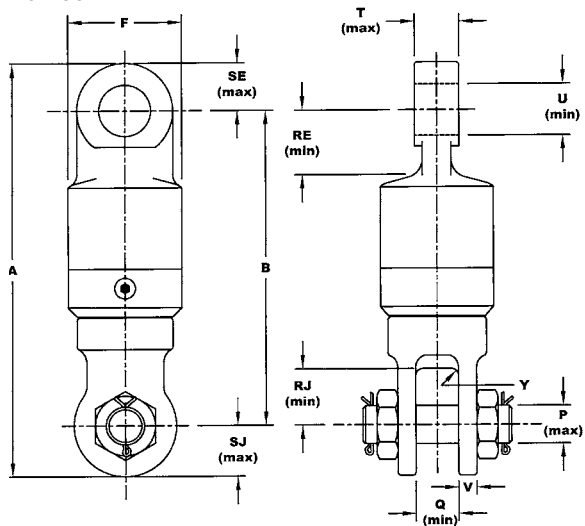
To order please specify the model number



Model No.	WLL (tonnes)	Weight (kgs)	A Overall Length	B Net Length	F Swivel Dia.	P Pin Dia. Max.	Q Width Between Ears Min.	RE Hole to Obstruction Min.	RJ Pin to Obstruction Min.	SE Hole to End of Fitting Max.	SJ Pin to End of Fitting Max.	T Thickness of Eye Max.	U Hole Dia. of Fitting Min.	V Thickness of Ear	Y Jaw Radius
3JEM	3.0	3.2	202.2	143.5	66.8	25.4	23.9	31.0	33.5	31.8	31.8	23.6	26.2	12.7	2.3
4JE	4.0	7.8	311.9	242.8	82.5	31.8	36.6	39.4	52.6	34.0	36.6	23.8	33.3	14.2	6.4
7JE	7.0	7.8	311.9	242.8	82.5	31.8	36.6	39.4	52.6	34.0	36.6	23.8	33.3	14.2	6.4
12JE	12.0	14.6	390.1	288.5	101.6	44.5	43.7	61.7	69.1	51.6	51.6	32.5	45.2	19.1	6.4
19JE	19.0	16.9	403.9	302.3	112.8	44.5	50.0	61.7	75.4	51.6	51.6	32.5	45.2	19.1	6.4

Eye/Jaw, 3 - 19 tonnes

5 to 1 design factor, CE marked



Key to Eye/Jaw Swivel Model Numbers:

- 3 - Working Load Limit (tonnes)
- E - Top Fitting (E = Eye)
- J - Bottom Fitting (J = Jaw)
- M - Midget Swivel

To order please specify the model number



Model No.	WLL (tonnes)	Weight (kgs)	A Overall Length	B Net Length	F Swivel Dia.	P Pin Dia. Max.	Q Width Between Ears Min.	RE Hole to Obstruction Min.	RJ Pin to Obstruction Min.	SE Hole to End of Fitting Max.	SJ Pin to End of Fitting Max.	T Thickness of Eye Max.	U Hole Dia. Min.	V Thickness of Ear	Y Jaw Radius
3EJM	3.0	3.3	210.0	149.9	66.8	25.4	24.6	31.8	34.3	31.0	31.0	23.1	26.2	12.7	2.3
4EJ	4.0	8.3	310.6	243.6	82.5	31.7	36.6	41.4	52.6	32.5	36.6	26.2	33.3	14.2	6.3
7EJ	7.0	8.3	310.6	243.6	82.5	31.7	36.6	41.4	52.6	32.5	36.6	26.2	33.3	14.2	6.3
12EJ	12.0	16.1	396.5	294.9	101.6	44.4	42.9	64.3	68.3	51.6	52.3	32.5	45.2	19.0	6.3
19EJ	19.0	18.9	416.3	314.7	112.8	44.4	49.2	62.0	74.7	51.6	52.3	32.5	45.2	19.0	6.3

Gunnebo Industrier AB

Tel: +46 21 83 82 00

E-mail: export@gunneboindustries.com

www.gunneboindustries.com

Sales Offices

Gunnebo Industries Pty Ltd, AUSTRALIA

Tel: +61 7 3451 0900

E-mail: general.info@gunneboindustries.com.au

Gunnebo Industries Ltda, SOUTH AMERICA

Tel: +55 11 4055 9800

E-mail: vendas@gunneboindustries.com.br

Gunnebo Industries Co. LTD, P.R of CHINA

Tel: +86 512 5525 2200

E-mail: info@gunnebolifting.cn

Gunnebo Industries GmbH, GERMANY

Tel: +49 273 989 720

E-mail : info@gunneboindustries.de

Gunnebo Anja Industrier AS, NORWAY

Tel: +47 561 933 00

E-Mail: sales@gunneboindustrier.no

Gunnebo Industries Sp. z o.o, POLAND

Tel: +48 552 422 926

E-mail: zawiesia@gunneboindustries.pl

Gunnebo Industries (Pty) Ltd, SOUTH AFRICA

Tel: +27 11 614 6078

E-mail: info@gunnebolifting.co.za

Gunnebo Industrier AB, SWEDEN

Tel: +46 317 643 700

E-mail: gbg@gunnebolifting.com

Gunnebo Industries Ltd, UNITED KINGDOM

Tel: +44 152 752 2560

E-mail: sales@gunneboindustries.co.uk

Gunnebo Johnson Corporation, NORTH AMERICA

Tel: +1 918 832 8933

E-mail: sales@gjcorp.com